

## **Sierra Elementary PTA School Gift Proposal: Playground Shade**

### **Description of Gift:**

The Sun Safety Committee of the Sierra PTA is submitting a school gift proposal for a 14-foot hexagonal shade umbrella on an 8' post to be installed next to the sand pit on the K-2 playground. It would be identical to the shade umbrella near the grade 3-5 playground/track area. It would protect students from UV rays and provide cooler places to play or learn during the hotter months. Not only would it be available for all children of Sierra and the neighborhood who play there, but it would greatly benefit the children in Mr. Eathan's Special Needs class as some of them are more sensitive to UV rays. The sand pit is their primary location for recess, and Mr. Eathan, his staff, and parents are very supportive of this initiative.

The umbrella would be positioned to shade the sand pit during the warmer months, but seasonal differences in sun angles would provide sunshine on this area during the winter. The vendor states the umbrellas are engineered for wind and snow loads. The fabric filters out 95% of UV rays and has a 10 year warranty, while the frame has a 15 year warranty. The cost of fabric replacement was \$800 in 2020, though this has only been necessary in a few cases in the vendor's experience, and the vendor has never had to replace the frame due to damage. It does not need tensioning or annual maintenance.

As part of a separate shade grant application through the American Academy of Dermatology, Mrs. Peters has been teaching our children about sun safety and skin health during their PE classes for the past two years. A shade umbrella in the K-2 recess area is an excellent addition to our sun-exposed playground to allow our children to make educated choices on where they play.

Last May, the Sun Safety Committee involved our 5<sup>th</sup> grade students in a sun safety service project by having them select three potential locations for the new shade umbrella, then design and conduct a survey of Mr. Eathan's class and the K-2 classrooms. Results of the survey helped them select the preferred location for the umbrella location (the sand box) and then they wrote up their work in a report.

**Money requested: \$8,000 (re-approval of last year's \$4,000 plus an additional \$4,000) with potential for PTA to be reimbursed \$3,000**

**Potential net cost to PTA if Arvada grant is received: \$5,000**

The total cost of the umbrella is \$8,000, which includes the cost of the frame, fabric, shipping, and installation. The Sierra Sun Safety Committee is currently applying for an Arvada Neighborhood Project Grant, which would reimburse the PTA for \$3,000 if the grant is received. The money would be reimbursed post-construction, so the PTA would need to front the entire cost.

Please note that last year the Neighborhood Grant program funded 40 of the 60 projects for which they received applications. The award date for this grant is end of May 2024, so if received, the umbrella could be installed in time for the start of next school year.

To provide an indication of the competitiveness of this project, the Sun Safety Committee applied for an \$8,000 nationwide sun shade grant through the American Academy of Dermatology in Dec 2023. Sierra's application ranked in the top 15 of 150 submissions; however, only 10 grants were awarded due to their internal funding shortcomings.

**\*\*NOTE\*\*** The City of Arvada Matching Grant, which had been the intended grant to apply for during the 2023-24 school year, was discontinued this year and no re-instatement is in sight. This is why the Sun Safety Committee has had to return to Sierra's PTA to ask for a different funding amount this year.

### **Overview of bids:**

The bid provided is from a company that is a "JeffCo School Approved Vendor", which is a pre-requisite for working on JeffCo Schools properties. The company installed our current playgrounds and the existing shade umbrella. They are familiar with the ground conditions including buried drainage pipelines as well as JeffCo playground regulations.

### **Picture of Product:**

This is a picture of the existing umbrella near the grade 3-5 playground. The new umbrella would be identical in size, shape, and color. This umbrella was installed Fall of 2020 and has needed no maintenance to date.





3726 Eureka Way., Unit A  
Frederick, CO 80516  
1-800-235-2440

## SIERRA ES - SHADE

SIERRA ELEMENTARY SCHOOL  
Attn: DAWN SCHIPPE  
7751 Oak Street  
Arvada, CO 80005

Ship to Zip 80005

Quantity	Part #	Description	Unit Price	Amount
1	QRI151	GT-Shade - GTHU141408IG HEX UMB 14X14X8 W/GLD IG	\$5,239.00	\$5,239.00
1	INSTALL	ALTITUDE CONTRACTING - EQUIPMENT INSTALLATION	\$1,582.00	\$1,582.00
			<b>Sub Total</b>	\$6,821.00
			<b>Freight</b>	\$1,178.78
			<b>Total</b>	<b>\$7,999.78</b>

### Comments

PLEASE ADD TAX IF APPLICABLE

OFFLOADING, STORAGE, PERMITS, PRIVATE LOCATE BY OTHERS

**Pricing: f.o.b. factory. PRICING IS VALID FOR 30 DAYS FROM THE DAY OF THIS QUOTATION.**  
**PLEASE ASK FOR UPDATED PRICING IF PASSED 30 DAYS PRIOR PLACING AN ORDER.**

QUOTATION IS BASED ON SHIPMENT OF ALL ITEMS AT ONE TIME TO A SINGLE DESTINATION, UNLESS NOTED, ANY CHANGES ARE SUBJECT TO PRICE ADJUSTMENT. PURCHASES IN EXCESS OF \$1,000.00 TO BE SUPPORTED BY YOUR WRITTEN PURCHASE ORDER MADE OUT TO **ALTITUDE RECREATION**.

Payment terms: Net 30 days for tax supported governmental agencies. A 1.5% per month finance charge will be imposed on all past due accounts. Equipment shall be invoiced separately from other services and shall be payable in advance of those services and project completion. Retainage not accepted. Payment via credit card: If you elect to pay by credit card, GameTime charges a 2.50% processing fee that is assessed on the amount of your payment. This fee is shown as a separate line item and included in the total amount charged to your credit card. You have the option to pay by check, ACH or Wire without any additional fees.

Final TAX amount may change, any additional tax required will be customer's responsibility. **All credit determinations are made by our Credit Department.**

Shipment: Standard GameTime playground and furnishings order shall ship within 10-12 weeks, Custom Panels 10-12 weeks, Vista Ropes Climbers 12-18 weeks, Standard Shades and Shelters 14-16 weeks, Surfacing 1-2 weeks, Victor Stanley 7-9 Weeks after GameTime's / Altitude Recreation's receipt and acceptance of your purchase order, color selections, approved submittals, and receipt of deposit, if required. All orders remaining staged for shipment, with the manufacturer, after 10 business days, will be applicable to a minimum storage fee of \$125.00, as well as an additional \$125.00 per week, per order. The customer will be responsible to pay these fees once the equipment ships. Liftgate, Flatbed and Forklift requests would be additional charge (not included)

Freight charges: Allowed & prepaid

If specified, Installation shall be provided by Certified GameTime Installer. Customer shall be responsible for scheduling coordination and site preparation. Site should be level and permit installation equipment access.

**PURCHASER SHALL ABSORB ALL COSTS INCURRED FROM UNKNOWN SOIL CONDITIONS SUCH AS ROCK REMOVAL, POOR DIGGING CONDITIONS (BEDROCK), OR POOR SOIL BEARING CAPACITY, INCLUDING BUT NOT LIMITED TO JACKHAMMER, BACKHOE OR BULLDOZER, SONOTUBES (PLUS DELIVERY, OPERATOR AND INSTALLATION IF REQUIRED)**

**PRIVATE LOCATE TO BE PROVIDED BY OWNER.**

**ALTITUDE RECREATION WILL NOT BE RESPONSIBLE FOR REPAIRS TO DAMAGED UNMARKED UNDERGROUND UTILITIES, DRAINS AND IRRIGATION.**

PLAY CORE WISCONSIN INC ARIZONA CONTRACTORS LICENSE # ROC349583  
ALTITUDE RECREATION ARIZONA CONTRACTORS LICENSE # ROC 339054



3726 Eureka Way., Unit A  
Frederick, CO 80516  
1-800-235-2440

## SIERRA ES - SHADE

**Exclusions:**

Unless specifically included, this quotation excludes all bonds, prevailing wages, permits, site work and landscaping; removal of existing equipment; acceptance of equipment and off-loading; storage of goods prior to installation; equipment assembly and installation; safety surfacing; borders and drainage provisions.

BILL TO CUSTOMER:

SHIP TO CUSTOMER:

\_\_\_\_\_  
\_\_\_\_\_  
\_\_\_\_\_

\_\_\_\_\_  
\_\_\_\_\_  
\_\_\_\_\_

TAX EXEMPT NUMBER: \_\_\_\_\_

PHONE NUMBER: \_\_\_\_\_

PHONE NUMBER: \_\_\_\_\_

FAX NUMBER: \_\_\_\_\_

FAX NUMBER: \_\_\_\_\_

EMAIL FOR ORDER ACKNOWLEDGEMENT: \_\_\_\_\_

COLORS: \_\_\_\_\_ (PALETTE)

UPRIGHTS: \_\_\_\_\_

DECKS: \_\_\_\_\_

ACCENTS: \_\_\_\_\_

ARCHES: \_\_\_\_\_

PLASTIC: \_\_\_\_\_

METAL ROOFS: \_\_\_\_\_

ROCK PLASTIC: \_\_\_\_\_

GRIPS: \_\_\_\_\_

ROOFS: \_\_\_\_\_

TUBES: \_\_\_\_\_

HDPE: \_\_\_\_\_

2 HDPE: \_\_\_\_\_

SWINGS: \_\_\_\_\_

\_\_\_\_\_  
Sales Associate's Signature

\_\_\_\_\_  
Customer's Signature

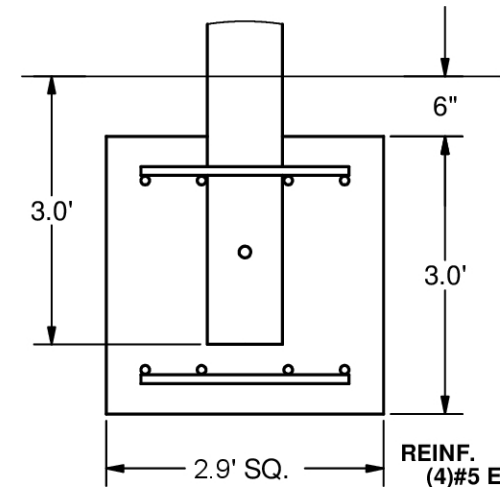
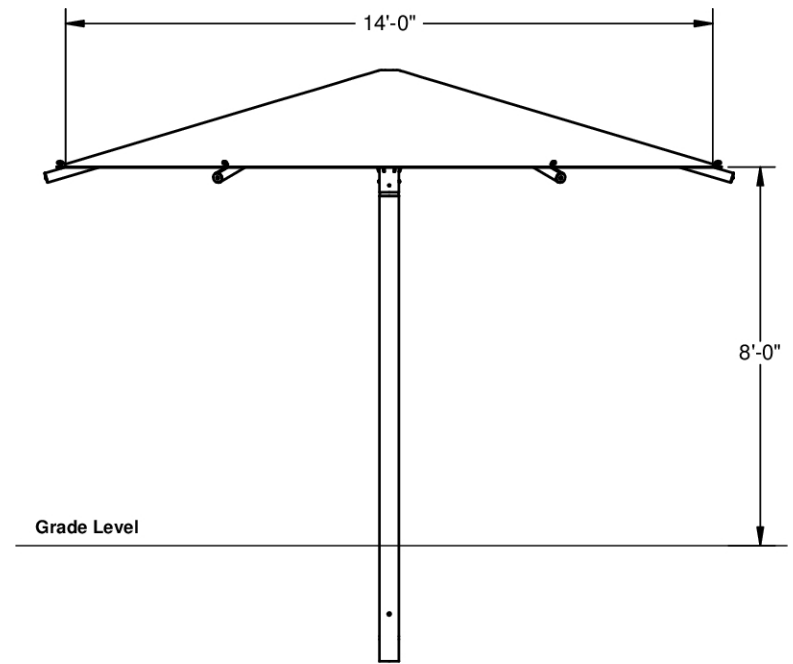
\_\_\_\_\_  
Date

HEXAGON UMBRELLA SHADE

14' x 14' x 8'

MODEL #:  
 HU141408IG (With Glide Elbows)  
 HU141408IN (Without Glide Elbows)

REF.#	PART DESCRIPTION	QTY.
1	Ø5.0" Column - Surface Mount	1
2	Ø5.0" Crown - With Four Sockets	1
3	Ø2.5" Rafter - Swaged With Bracket	4
4	Strut - Rigid Fixed	4
5	Fabric - With Cable Insert	1
6	Frame Hardware Kit	1



**FOOTING DETAIL**

**REINF.**  
 (4)#5 EW  
 Top And Bottom  
 \*Footing design based on 1500 PSF soil bearing pressure.

*These drawings are for reference only and should not be used as construction details. Materials, fasteners, and foundations are subject to change if professionally sealed engineering drawings are required. Designed for 93 MPH Basic Wind Speed.*



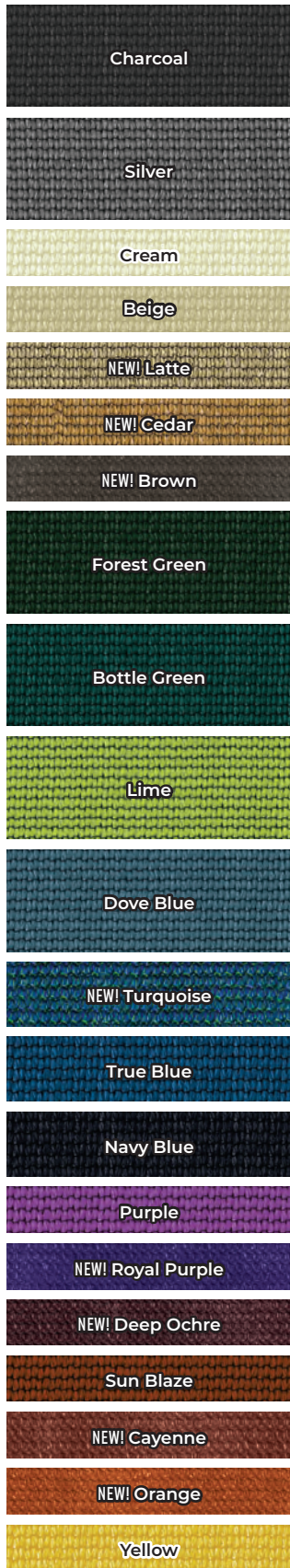
# MATERIAL COLOR OPTIONS

METAL	PLASTIC	HDPE	2 COLOR HDPE
Black	Champagne	Black	Black/White
Starlight Black		Beige	Gray/Black
Metallic	Brown		White/Black
White		Green	Beige/Green
NEW! Vanilla	NEW! Chartreuse		Brown
Champagne		Spring Green	Green
Beige	NEW! Azure		Green
Brown		Sky Blue	Spring Green
Bronze	Blue		Sky Blue
Dark Green		Periwinkle	Blue
Green	Royal Purple		Purple
NEW! Sage		Burgundy	Burgundy
NEW! Ice Butter	Red		Red
NEW! Ice Mint		Orange	Orange
NEW! Chartreuse	Butterscotch		Yellow
Spring Green		Yellow	
NEW! Ocean			
NEW! Azure			
NEW! Sea Mist			
Sky Blue			
Blue			
Periwinkle			
Royal Purple			
Burgundy			
Red			
Orange			
Butterscotch			
Yellow			



# MATERIAL COLOR OPTIONS

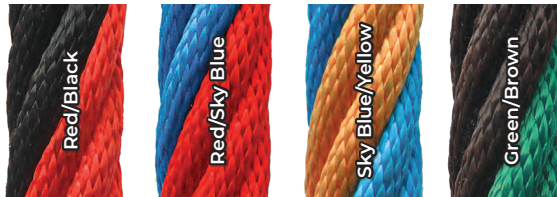
## SHADE FABRIC



## VISTAROPETM STANDARD

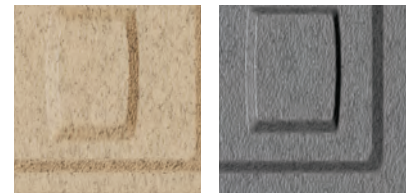


## VISTAROPETM CUSTOM



\*Colors for VistaRope products only. All standard GameTime ropes are black.

## SPECIAL ROCK



Sandstone

Deep Granite

## WALLCANO® HANDHOLDS



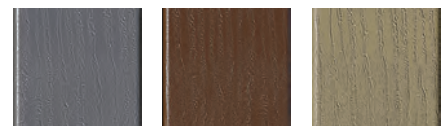
Red

Green

Blue

Beige

## SITE RECYCLED PLASTIC LUMBER

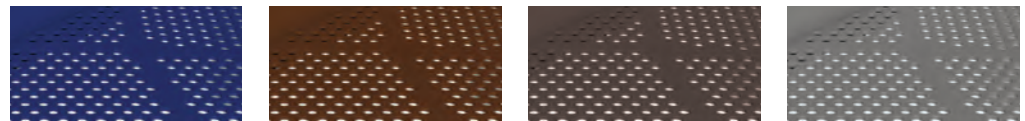


Gray

Tudor

Sand

## DECKS



Blue

Brown

NEW! Chocolate

Gray

# WARRANTY

GameTime offers a comprehensive warranty on all of our products.

For the purpose of this warranty, “lifetime” encompasses no specific term of years, but rather that the Seller warrants to its original customer for as long as the original customer owns the product, and uses the product for its intended purpose, that the product and all its parts will be free from defects in material and manufacturing workmanship.

- **Lifetime limited warranty** on PowerScape®, PrimeTime®, Xscape® & IONiX® and Modern City® uprights.
- **Lifetime limited warranty** on Tru-Loc® connections and upright bolt-through connections.
- **Lifetime limited warranty** on all hardware.
- **Twenty-Year limited warranty** on Timber Décor & Timbers recycled plastic lumber.
- **Fifteen-Year limited warranty** on metal decks, pipes, rungs, rails, loops, braces, and footbucks.
- **Fifteen-Year limited warranty** on rotationally-molded products.
- **Fifteen-Year limited warranty** on VistaRope™ nylon bearings and ring junction pieces.
- **Ten-Year limited warranty** on GTFit®, THRIVE® and Challenge Course posts & bars.
- **Ten-Year limited warranty** on site furnishings against structural failure.
- **Ten-Year limited warranty** on SunBlox products.
- **Ten-Year limited warranty** on fiberglass and DHPL signage.
- **Ten-Year limited warranty** on VistaRope™ WeaveTech™ cables.
- **Five-Year limited warranty** on Tuff Forms® structures, including TuffCrete and PolyShield.
- **Five-Year limited warranty** on nylon-covered cable net climbers and components.
- **Five-Year limited warranty** on GT Symphony Freenotes™ Harmony Park components.
- **Five-Year limited warranty** on Super Seats.
- **Five-Year limited warranty** on premature wear of VistaRope cables.
- **Three-Year limited warranty** on EveryBODY Plays® polyurea coated foam & rubber strips.
- **Three-Year limited warranty** on SaddleMates rubber and “C”-springs.
- **Three-Year limited warranty** on rubber seat and rubber mats for net events.
- **One-Year limited warranty** on Challenge Course timing components.
- **One-Year limited warranty** on all other GameTime products.

TO THE EXTENT PERMITTED BY LAW, THESE WARRANTIES ARE EXPRESSLY IN LIEU OF ANY OTHER IMPLIED OR EXPRESSED WARRANTIES OR REPRESENTATIONS BY ANY PERSON, INCLUDING ANY IMPLIED WARRANTY OF MERCHANTABILITY OR FITNESS. Warranties do not cover damage caused by vandalism or abuse. Warranty claims must be filed within the applicable warranty period and accompanied by a copy of the original invoice or GameTime invoice number.